

ADDENDUM



DATE: July 2, 2024 **ADD. NO.:** 3

PROJECT: Grizzly Flats Community Services District
Clearwell Replacement Project

FROM: Scott Myers, Water Engineer

TO: All Bidders

PAGES: 3

This Addendum forms a part of the Contract Documents and modifies the original Proposal, Technical Specifications and Agreement, dated **May 17, 2024**. Bidders must acknowledge receipt of this Addendum when submitting the Proposal. Failure to do so may subject the bidder to disqualification.

1. Plans and Specifications

Clarification of Work provided as follows:

- Sheet C2, Detail 1 - The 10' dimension references the transition from steel pipe to ductile iron. See Figure 1.
- Sheet C2, Detail 5 – Drain pipe extends to new DI at existing 10" SD, as shown on Sheet C4. Drain DI to be 3' x 3' with galvanized grate. See Figure 2. DI at existing SD to be 2' x 2' with galvanized grate.
- The small steel backwash tank needs to be relocated on site. No existing concrete foundation removal required.
- Additional detail for altitude valve vault per Figure 3.
- Restrain cut-in pipe connections.

Interested bidders can contact Cort Abney at (916) 806-3970, or cort@h2oengr.com for more information.

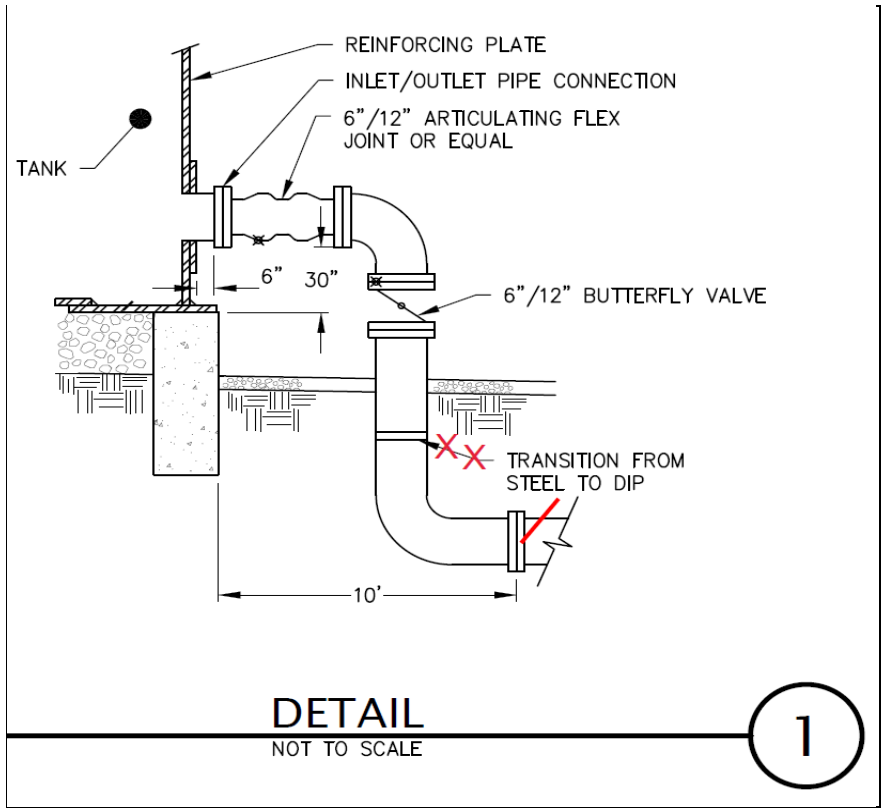


Figure 1

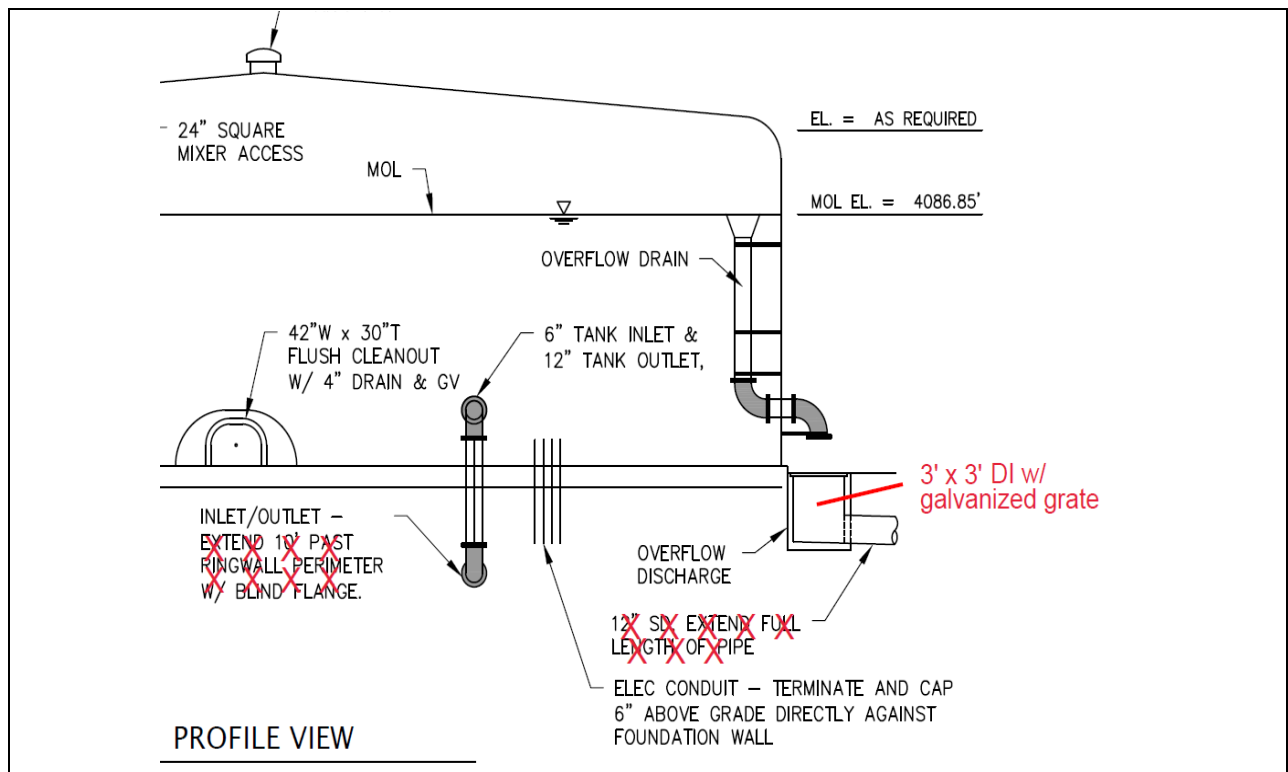


Figure 2

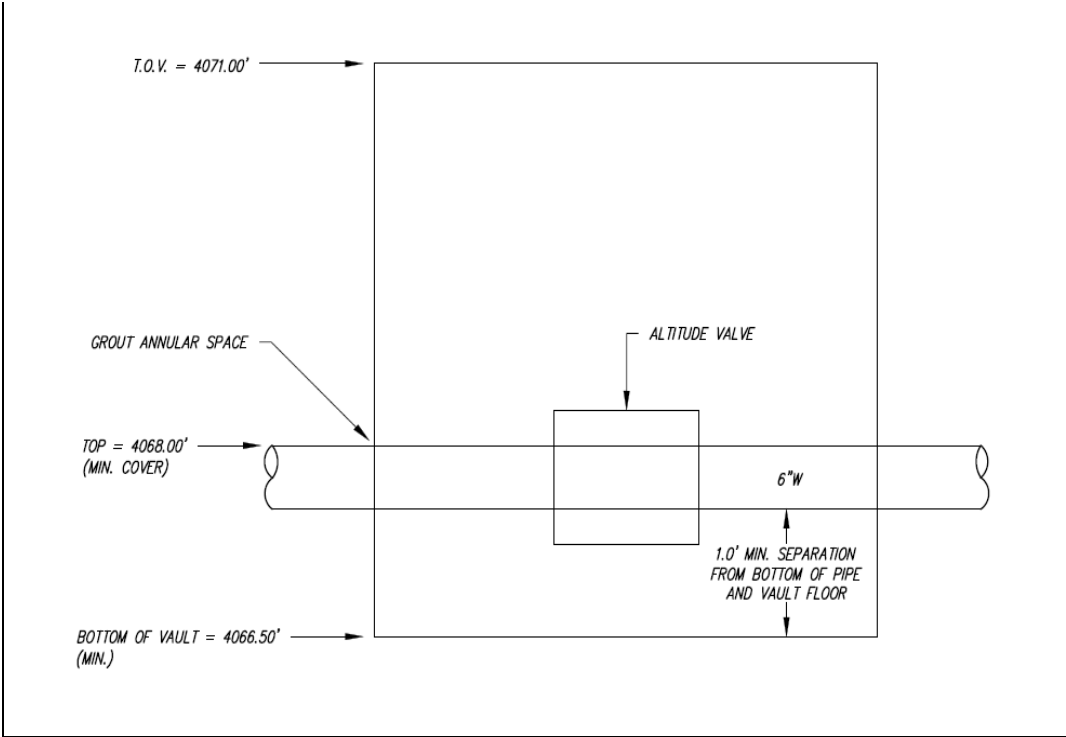


Figure 3

End of Addendum